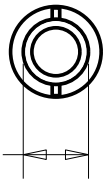
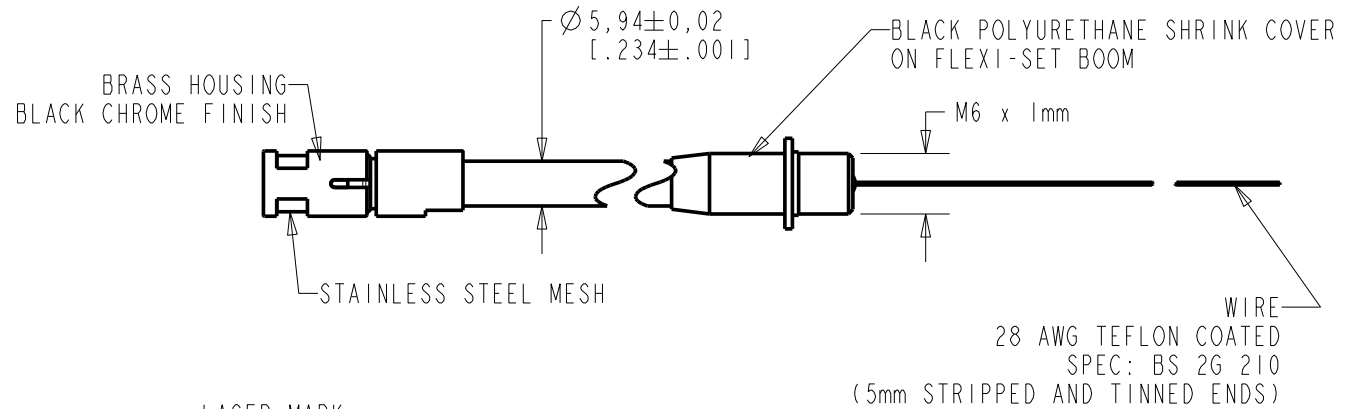
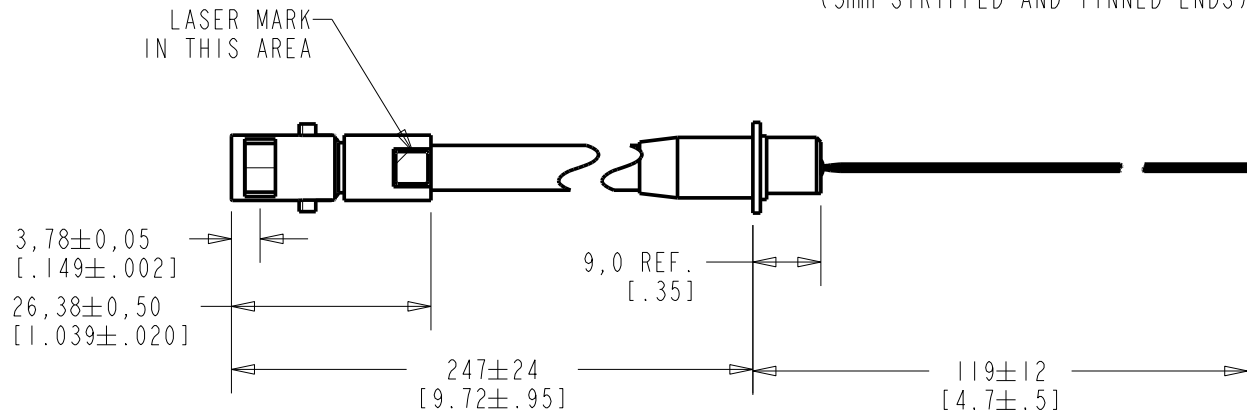


**FB-CO-28513-L20**  
SHT 1.1



Ø 8,64±0,02  
[.340±.001]



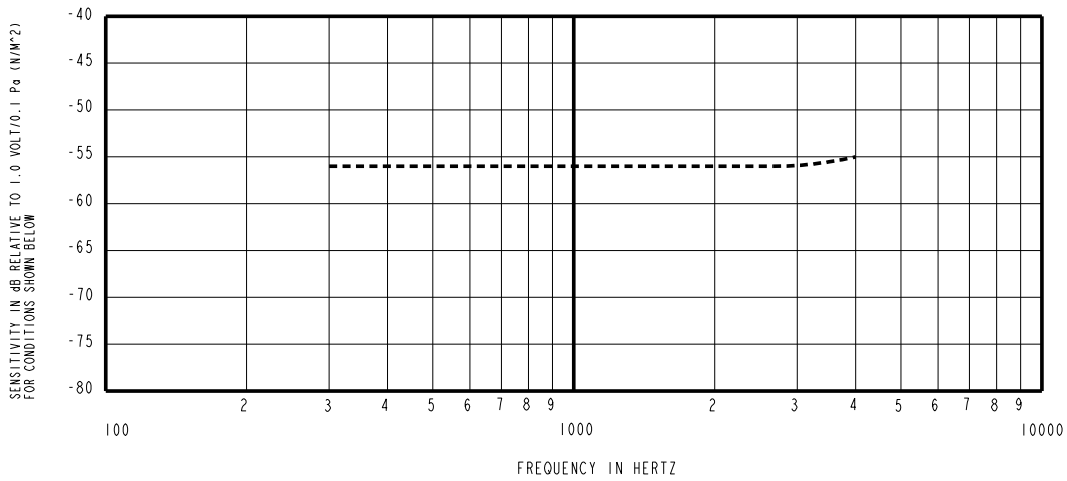
WIRE COLOR				WEIGHT GRAMS
+ve	OUTPUT	-ve	SCREEN	
RED	WHITE	BLACK	GREEN	44

DIMENSIONS IN MILLIMETERS [INCHES]

Revision	C.O. #	Implementation Date	RELEASE LEVEL	REVISION
			<b>Active</b>	<b>D</b>
D	C10107750	8-18-08		

**KNOWLES ELECTRONICS**  
ITASCA, ILLINOIS U.S.A.

SCALE: 1:1	DR. BY: DATE
DO NOT SCALE DRAWING	MMM 6-1-06
TITLE: <b>BOOM MICROPHONE FB-CO-28513-L20</b>	CK. BY: DATE
OUTLINE DRAWING	GJP 6-6-06
SHT 1.1	APP. BY: DATE
	GJP 6-6-06

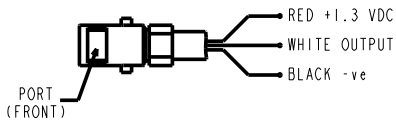


FREQUENCY	SENSITIVITY		
	MIN	NOM	MAX
300	-60.0	-56.0	-52.0
1000	-59.0	-56.0	-53.0
4000	-60.0	-56.0	-52.0

**NOTES:**

- MICROPHONE TO BE FUNCTIONAL WITH 10 VDC SUPPLY.
- SENSITIVITY VALUES INDICATED ON THIS SPECIFICATION ARE VALID AT 50% HUMIDITY.
- TEST CONDITIONS:  
HEAD OF BOOM EXPOSED TO 94 dB SPL SWEPT SOUND FIELD AT 6mm FROM VOICE APERTURE.  
ARTIFICIAL VOICE:  
B & K 4227 MOUTH SIMULATOR.
- FOR MICROPHONE CAPSULE SPEC. SEE WP-23500-000 SHEET 2.1

CAPACITANCE $\pm 50\%$
POSITIVE TO NEGATIVE
100pF



LEAD IDENTIFICATION & TEST CIRCUIT

Revision	C.O. #	Implementation Date	RELEASE LEVEL	REVISION
			<b>Active</b>	<b>D</b>
D	CI0107750	8-18-08		

WHEN TEST LIMITS ARE USED TO ESTABLISH INCOMING INSPECTION ACCEPTANCE/REJECTION CRITERIA, CORRELATION OF TEST EQUIPMENT WITH KNOWLES IS ALSO REQUIRED FOR ELIMINATION OF EQUIPMENT AND TEST METHOD VARIATION		DR. BY	DATE
		MMM	6-1-06
TITLE: <b>BOOM MICROPHONE FB-CO-28513-L20</b>		CK. BY	DATE
PERFORMANCE SPECIFICATION		GJP	6-6-06
SHT 2.1		APP. BY	DATE
		GJP	6-6-06

**KNOWLES ELECTRONICS**  
ITASCA, ILLINOIS U.S.A.